

Data Sheet

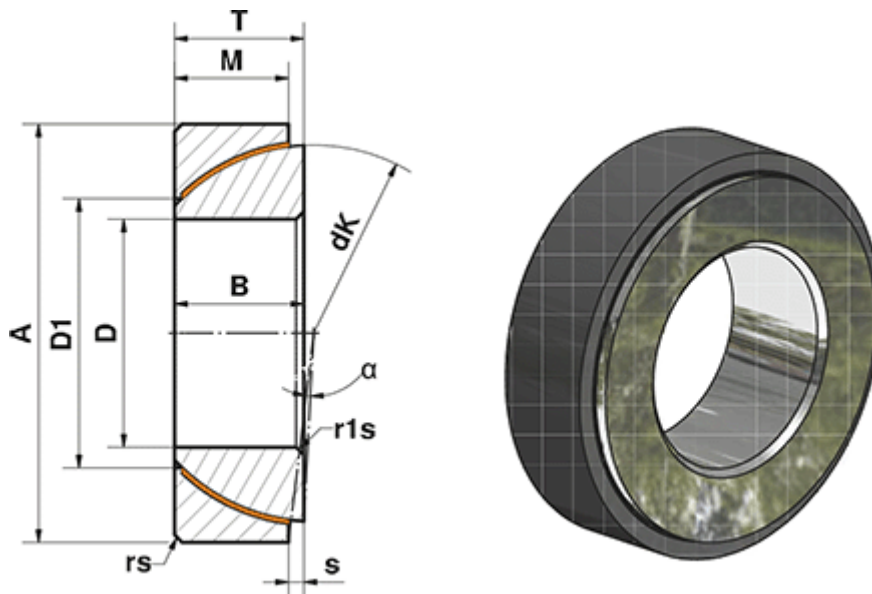


Article number: 03449190

Description: Fluro Heavy Duty Spherical Plain Bearing GE 190 SWE
Hole Ø190

Note: 190

Measures



A	= 290	rs, r1s min	= 3
a (degrees)	= 0.5	S	= 26
B	= 64	Static load C0 (kN)	= 7352
D	= 190	T	= 64
D1	= 212.5	Weight (g)	= 18200
dK	= 275		
Dynamic load C (kN)	= 4410		
M	= 62		